

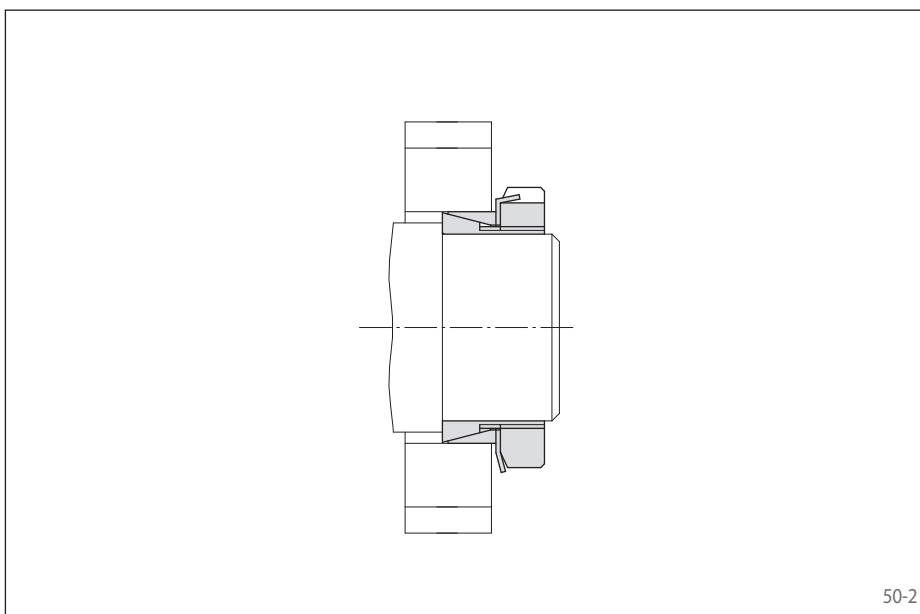
Cone Clamping Elements RLK 250

centres the hub to the shaft
quick assembly, easy to release



Features

- Centres the hub to the shaft
- Radial flat height is particularly suitable for small hub outer diameters
- Quick assembly by central groove nut
- Easy to release
- Transmissible torque of 38 Nm up to 1 050 Nm
- For shaft diameters between 15 mm and 70 mm



Application example

Backlash free connection of a drive wheel to a shaft with a Cone Clamping Element RLK 250. The central groove nut leads to a uniform displacement of the cone ring during clamping and thus achieves a centring that is sufficient for lower requirements. The central groove nut and the self-releasing cone ensure quick disassembly. Thus, a worn drive wheel can be replaced with the shortest of downtimes.

Transmissible torques and axial forces

The transmissible torques or axial forces listed on the following page are subject to the following tolerances, surface characteristics and material requirements. Please contact us in the case of deviations.

Tolerances

- h8 for shaft diameter d
- H8 for hub bore D

Surfaces

Average surface roughness at the contact surfaces between the shaft and the hub bore:
 $R_z = 10 \dots 25 \mu\text{m}$.

Materials

The following apply to the shaft and the hub:

- E-module $\geq 170 \text{ kN/mm}^2$

Installation

Please request our installation and operating instructions for Cone Clamping Elements RLK 250.

Simultaneous transmission of torque and axial force

The transmissible torques M which are shown in the tables apply for axial forces $F = 0 \text{ kN}$ and conversely, the indicated axial forces F apply to torques $M = 0 \text{ Nm}$. If torque and axial force are to be transmitted simultaneously, the transmissible torque and the transmissible axial force are reduced. Please refer to the technical points on pages 72 and 73.

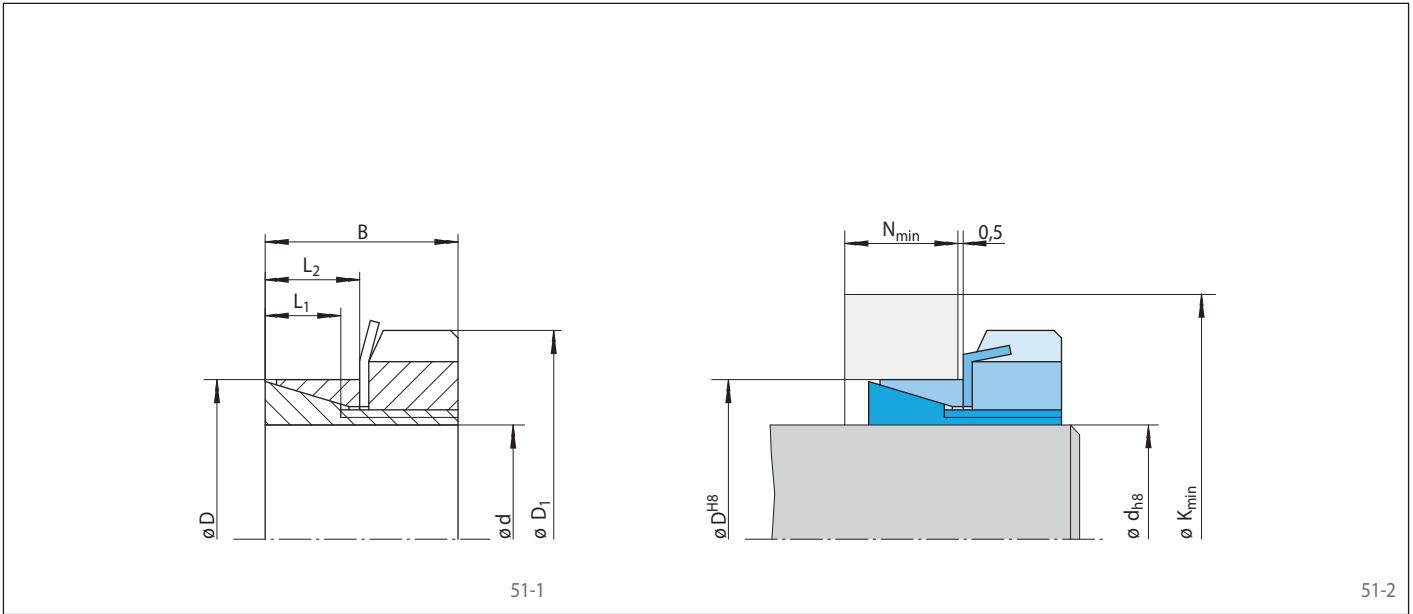
Example for ordering

Cone Clamping Element RLK 250 for shaft diameter $d = 50 \text{ mm}$:

- RLK 250, size 50 x 62
Article number 4202-050001-000000

Cone Clamping Elements RLK 250

centres the hub to the shaft
quick assembly, easy to release



Dimensions												Technical Data						Article number	
Size		D ₁ mm	B mm	L ₁ mm	L ₂ mm	Yield strength R _e of the hub material [N/mm ²]						Transmissible torque or axial force		Contact pressure at		Groove nut Tightening torque M _S Nm	Size		Weight kg
d mm	D mm					200	320	500	M	F	P _W	P _N	M _S						
15	25	32	16,5	6,5	9,5	39	13	34	11	31	10	38	5	159	95	48	KM 4	0,050	4202-015001-000000
16	25	32	16,5	6,5	9,5	40	13	34	11	31	10	42	5	160	102	50	KM 4	0,048	4202-016001-000000
19	30	38	18,0	6,5	10,0	46	14	40	12	37	10	60	6	160	101	74	KM 5	0,080	4202-019001-000000
20	30	38	18,0	6,5	10,0	47	14	41	12	37	10	65	6	160	106	78	KM 5	0,070	4202-020001-000000
24	35	45	18,0	6,5	10,0	55	15	47	13	43	11	95	8	160	109	110	KM 6	0,100	4202-024001-000000
25	35	45	18,0	6,5	10,0	55	15	47	13	44	11	105	8	160	114	120	KM 6	0,090	4202-025001-000000
30	40	52	19,5	7,0	10,5	64	16	55	14	50	12	160	10	160	120	170	KM 7	0,130	4202-030001-000000
35	45	58	21,5	8,0	10,5	76	18	64	15	57	13	250	14	160	124	250	KM 8	0,170	4202-035001-000000
36	45	58	21,5	8,0	10,5	77	18	65	15	58	13	260	14	160	128	260	KM 8	0,150	4202-036001-000000
40	52	65	24,5	10,0	12,5	88	19	74	16	67	14	350	17	138	106	460	KM 9	0,240	4202-040001-000000
45	57	70	25,5	10,0	12,5	91	21	78	17	70	15	420	18	132	104	550	KM 10	0,270	4202-045001-000000
48	62	75	25,5	10,0	12,5	100	22	85	18	77	16	500	22	144	112	700	KM 11	0,320	4202-048001-000000
50	62	75	25,5	10,0	12,5	100	22	85	18	77	16	560	22	138	112	700	KM 11	0,280	4202-050001-000000
55	68	80	27,5	12,0	15,0	99	22	88	20	81	18	600	21	103	83	770	KM 12	0,360	4202-055001-000000
56	68	80	27,5	12,0	15,0	99	22	88	20	81	18	610	21	101	83	770	KM 12	0,340	4202-056001-000000
60	73	85	28,5	12,0	16,5	104	24	92	21	86	19	710	24	102	83	880	KM 13	0,390	4202-060001-000000
63	79	92	30,5	14,0	17,0	114	25	101	22	93	20	870	28	97	77	1100	KM 14	0,560	4202-063001-000000
65	79	92	30,5	14,0	17,0	114	25	101	22	93	20	900	28	94	77	1100	KM 14	0,520	4202-065001-000000
70	84	98	31,5	14,0	17,0	121	26	107	22	99	20	1050	30	95	79	1250	KM 15	0,600	4202-070001-000000

If the hub cannot be freely moved to the left, e.g. due to a shaft shoulder, the values for M, F, P_W and P_N are reduced by 37%. In this case, the required hub outer diameter K_{min} and the required hub width N_{min} may be lower than indicated.

Cone Clamping Elements RLK 250 L

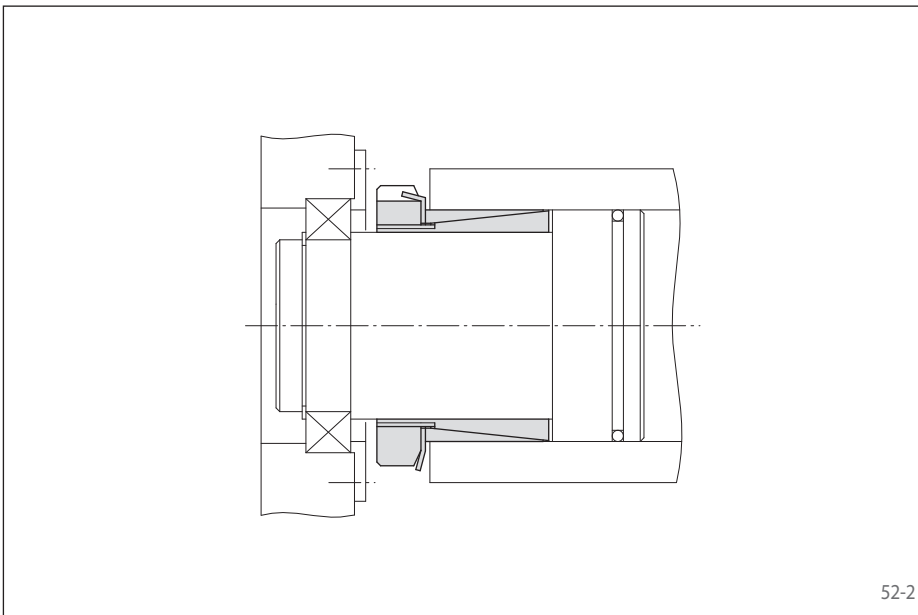
centres the hub to the shaft
quick assembly



52-1

Features

- Centres the hub to the shaft
- Radial flat height is particularly suitable for small hub outer diameters
- Quick assembly by central groove nut
- Transmissible torque of 74 Nm up to 1 500 Nm
- For shaft diameters between 15 mm and 60 mm



52-2

Application example

Backlash free connection of a hollow shaft with a Cone Clamping Element RLK 250 L. The Cone Clamping Element centres the hollow shaft on the shaft. Due to the flat radial height of the Cone Clamping Element, the hollow shaft can be designed thin walled.

Transmissible torques and axial forces

The transmissible torques or axial forces listed on the following page are subject to the following tolerances, surface characteristics and material requirements. Please contact us in the case of deviations.

Tolerances

- h8 for shaft diameter d
- H8 for hub bore D

Surfaces

Average surface roughness at the contact surfaces between the shaft and the hub bore:
 $R_z = 10 \dots 25 \mu\text{m}$.

Materials

The following apply to the shaft and the hub:

- E-module $\geq 170 \text{ kN/mm}^2$

Installation

Please request our installation and operating instructions for Cone Clamping Elements RLK 250 L.

Simultaneous transmission of torque and axial force

The transmissible torques M which are shown in the tables apply for axial forces $F = 0 \text{ kN}$ and conversely, the indicated axial forces F apply to torques $M = 0 \text{ Nm}$. If torque and axial force are to be transmitted simultaneously, the transmissible torque and the transmissible axial force are reduced. Please refer to the technical points on pages 72 and 73.

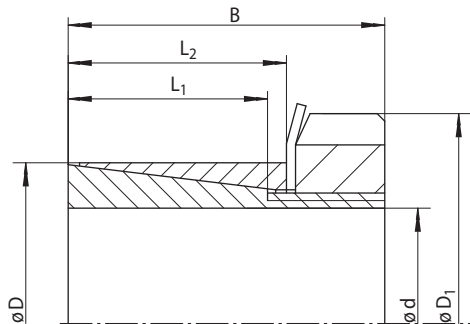
Example for ordering

Cone Clamping Element RLK 250 L for shaft diameter $d = 50 \text{ mm}$:

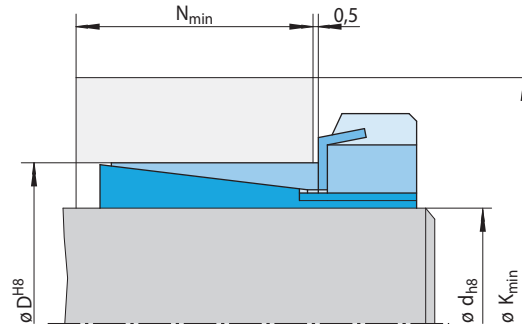
- RLK 250 L, size 50 x 60
Article number 4202-050002-000000

Cone Clamping Elements RLK 250 L

centres the hub to the shaft
quick assembly



53-1



53-2

Dimensions												Technical Data						Article number	
Size		D ₁ mm	B mm	L ₁ mm	L ₂ mm	Yield strength R _e of the hub material [N/mm ²]						Transmissible torque or axial force		Contact pressure at		Groove nut Tightening torque M ₅ Nm	Size		Weight kg
d mm	D mm					200	320	500	M	F	Shaft P _W N/mm ²	Hub P _N N/mm ²							
15	25	32	29	17	23	40	25	34	23	30	23	74	9,8	120	72	53	KM 4	0,08	4202-015001-A00000
16	25	32	29	17	23	41	25	34	23	31	23	80	10	120	76	56	KM 4	0,07	4202-016001-A00000
17	25	38	31	18	24	42	27	35	24	31	24	100	11	120	81	72	KM 5	0,13	4202-017001-A00000
18	30	38	31	18	24	47	27	40	24	36	24	110	12	120	72	83	KM 5	0,12	4202-018002-000000
19	30	38	31	18	24	48	27	41	24	37	24	120	12	120	76	90	KM 5	0,12	4202-019001-A00000
20	30	38	31	18	24	49	28	41	24	37	24	130	13	120	80	100	KM 5	0,11	4202-020001-A00000
22	35	45	35	21	26	57	30	47	27	43	26	180	16	120	75	130	KM 6	0,18	4202-022001-A00000
24	35	45	35	21	26	60	31	48	28	43	26	230	19	119	82	160	KM 6	0,16	4202-024001-A00000
25	35	45	35	21	26	61	31	49	28	44	26	250	16	120	85	160	KM 6	0,15	4202-025001-A00000
28	40	52	35	22	27	69	33	55	29	50	27	330	23	120	84	220	KM 7	0,24	4202-028001-A00000
30	40	52	35	22	27	72	34	57	30	50	27	380	20	120	90	230	KM 7	0,21	4202-030004-000000
35	45	58	42	28	31,5	90	39	68	34	58	32	460	26	120	93	320	KM 8	0,26	4202-035001-A00000
40	50	65	44	28	34	99	40	75	34	65	34	640	32	120	96	440	KM 9	0,33	4202-040002-000000
45	55	70	45	28	34	105	41	82	35	71	34	760	33	120	98	550	KM 10	0,39	4202-045001-A00000
50	60	75	46	28	34	117	42	91	36	78	34	930	37	120	100	660	KM 11	0,40	4202-050002-000000
55	65	80	47	28	34	118	41	94	35	82	34	1100	40	120	97	770	KM 12	0,44	4202-055002-000000
60	70	85	52	28	38,5	125	42	101	39	88	39	1500	50	120	97	890	KM 13	0,55	4202-060001-A00000

If the hub cannot be freely moved to the left, e.g. due to a shaft shoulder, the values for M, F, P_W and P_N are reduced by 37%. In this case, the required hub outer diameter K_{min} and the required hub width N_{min} may be lower than indicated.

Morskate®



Any questions? Please contact us.

Morskate Aandrijvingen BV

Oosterveldsingel 47A
7558 PJ Hengelo (Ov)
The Netherlands

NL

T +31 (0)74 - 760 11 11
info@morskateaandrijvingen.nl
www.morskateaandrijvingen.nl

DE

T +49 692 - 222 34 95
info@morskateantriebstechnik.de
www.morskateantriebstechnik.de

EN

T +31 (0)74 - 760 11 11
info@morskatedrivetechnology.com
www.morskatedrivetechnology.com